

## FPMA-DTBW100

### SPECIFICATIONS

#### GENERAL

Min. screen size*	10 inch
Max. screen size*	30 inch
Min. weight	0 kg (per screen)
Max. weight	8 kg (per screen)
Screens	1
VESA minimum	75x75 mm
VESA maximum	100x100 mm

#### FUNCTIONALITY

Type	Tilt
Depth adjustment	8 cm
Tilt (degrees)	180°
Rotate (degrees)	270°
Adjustment type	None

#### INFORMATION

Color	Grey
Main material	Steel
Warranty	5 year
EAN code	8717371445195

\*Please note: The inch sizes stated are just an indication, combined with the weight and VESA sizes. The maximum weight and VESA size are absolute restrictions for the products and should not be exceeded.

## NEOMOUNTS TOOLBAR MOUNT



Neomounts

### Neomounts Tilt & Turn Monitor Mount for use with FPMA-DTB100/FPMA-DTB200/FPMA-WTB100 Toolbars - for single 10-30" Screen - Silver

The Neomounts toolbar mount, model FPMA-DTBW100 is a tilt- and rotatable mount for flat screens up to 30". This mount is a great choice to use in combination with Neomounts' toolbar model FPMA-DTB100, FPMA-DTB200 or FPMA-WTB100.

Neomounts versatile tilt (180°) and rotate (270°) technology allows the mount to change to any viewing angle to fully benefit from the capabilities of the flat screen. Depth 8 centimetres. An innovative cable management conceals and routes cables from mount to flat screen. Hide your cables to keep the workplace nice and tidy.

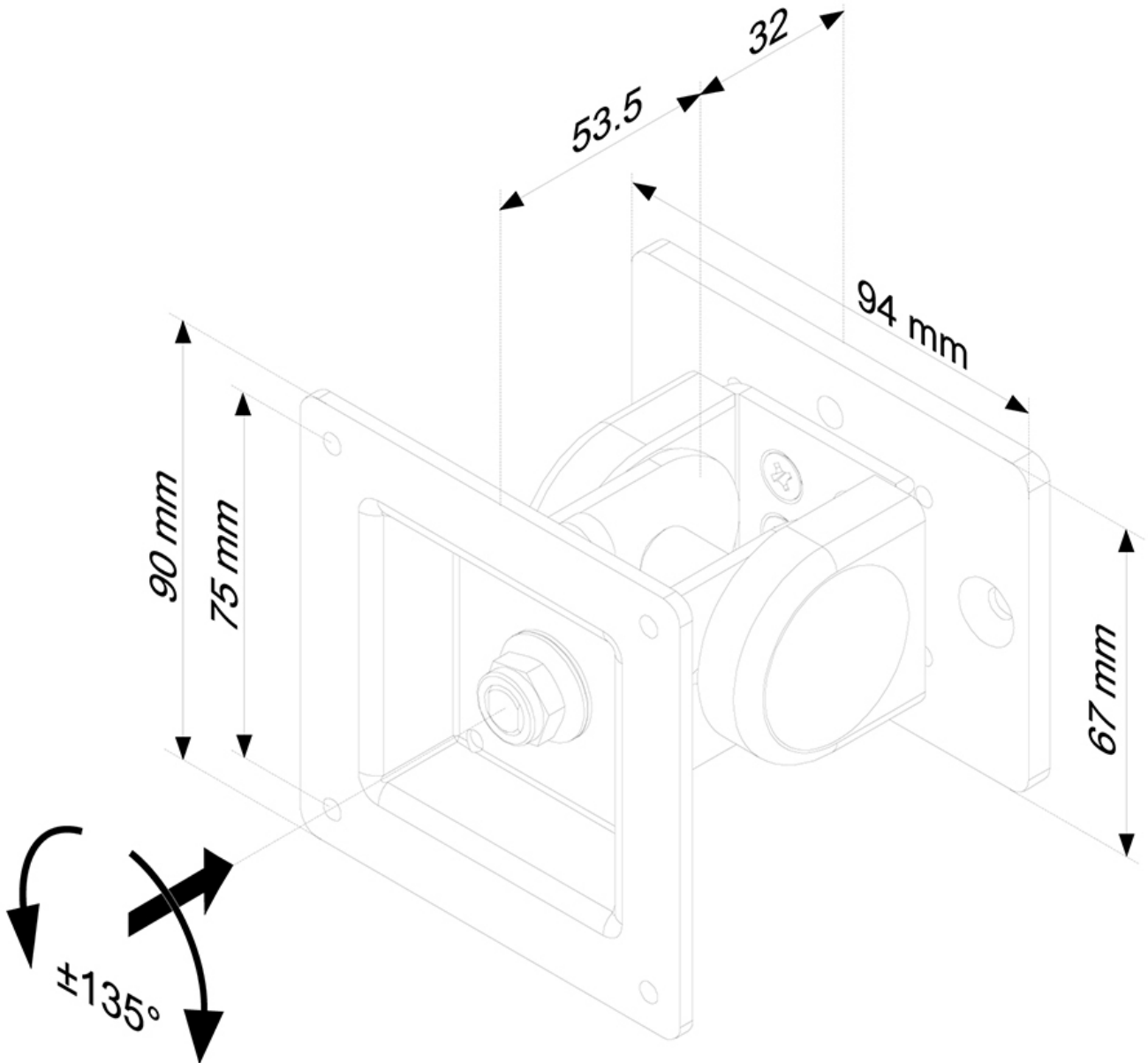
FPMA-DTBW100 has one pivot point and is suitable for screens up to 30" (76 cm). The weight capacity of this mount is 8 kg each screen. The toolbar mount is suitable for screens that meet VESA hole pattern 75x75 and 100x100 mm. Different hole patterns can be covered using Neomounts VESA adapter plates.

By using an ergonomic mount neck- and back complaints can be avoided. Ideal for use in offices and on counters or in a reception area.

All installation material is included with the product.

FPMA-DTBW100

NEOMOUNTS TOOLBAR MOUNT



Neomounts